

A NEW
**ANTI-LOCK
BRAKE
SYSTEM**
FOR BICYCLE



OUTBRAKER

ENJOY SAFE FULL BRAKING

with the simplest Anti-lock Brake System for Bicycle

OutBraker was purposely developed to prevent flipping over from full front wheel braking at emergency and enable safe and short braking.



NO MORE FLIP-OVER

It's Absolutely Safe Even In Panic Braking



This is not just a simple product for reducing hydraulics and cutting down braking performance. However, it helps to create an optimal braking force when braking.

Optimal braking pressure is right before the wheel's lock-up point that represents the best braking performance



Features

- Safe Full-Braking | *Always Safe Even In Panic Braking*
 - Precise Adjustment | *You can adjust precisely on your preference*
 - Simple & Easy | *OutBraker is very simple and easy to install*
-

For Bicycle / E-Bike



◀ **Single**
For Front Brake

▼ **Double**
1Hand 2Brake Combined System
Recommended for Beginners, Commuters and disabled.





E-Kickboard Exclusive

Single / Double

E-scooter's popularity is increasing due to its benefits. However, small size of the wheels and stand-up position may cause easy flip over even with slight weight shift. In sudden braking situation, it can be very tricky to control the brake lever, which is positioned underneath the throttle because the front brake and throttle are both positioned on the right handle.

Front & rear interlocking Outbraker can be a great help for safe braking by using the opposite hand that is not used for pulling the throttle.

After installing the OutBraker with preferred braking setting, riders can enjoy braking at anytime by pulling the lever, without additional control.



SIMPLY CLICK TO ADJUST

Full-Braking Performance to Match Your Style

Freely adjust your brake performance with an enclosed pentagonal wrench. There are 45clicks to modulate the brake power. After Adjusting OutBraker with preferred braking setting, riders can enjoy braking at anytime by pulling the lever, without additional control.



PERFORMANCE ADJUSTMENT

45 Clicks to set your own Full-Brake power precisely

Braking Distance Comparison

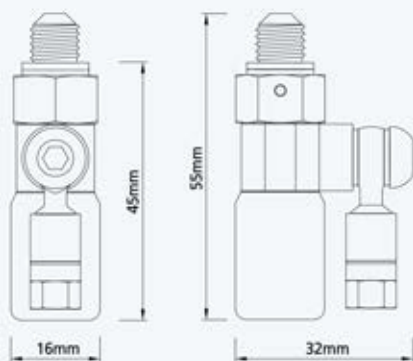
Test Speed		25km/hr
Rotor Size		160mm
Brake		Shimano XT M8000
Bicycle		Insainne Exito 5.0
Road		Dry



Counter clockwise
Decrease Braking force
For **Stable** Stopping Performance



Clockwise
Increase Braking force
For **Shorter** Stopping Distance



VARIOUS COLORS

Blue, Red, Gold, Gunmetal, Black

OutBraker comes in diverse colors to match your bike.

Specifications

Material		<i>Alloy, Stainless</i>
Weight		<i>50g (Body 35g, Banjo kit 15g)</i>
Dimension		<i>55 x 16 x 32mm</i>
Oil Pressure Adjustment		<i>0-100%</i>

All Hydraulic Brakes are Compatible

OutBraker can be installed on any hydraulic brakes

Bolt Thread: 3 types



M8-0.75
For Shimano
Sram / Tektro / Hayes



M8-1.0
For Formula



M9
For Magura

Banjo Kit: 3 types



For Shimano BH90
Sram / Formula



For Shimano BH59
Magura



For Tektro



www.outbraker.eu

AKROVALIS S.L. (European Distributor)

Calle Italia, 32.
08320 Masnou (Barcelona)

TEL(1): +34 935 407 491

TEL(2): +34 654 308 244

Email: info@outbraker.eu
